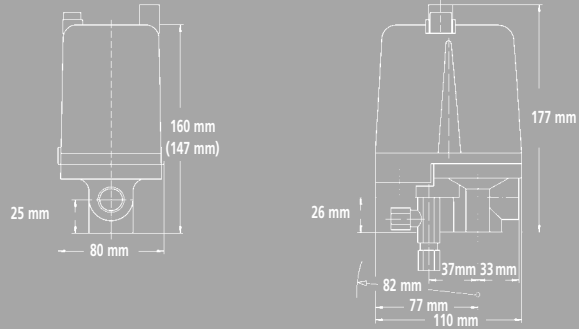


# Pressure switch MDR 5



3-phase; Switching capacity 5.5 KW  
available with overload relay  
max. cut-out pressure 16 bar



## TYPES

3-pole (N.C.)

Order reference	ON/OFF Push-button	Pressure range P <sub>OFF</sub> (bar)	Flange	Weight (g)	Part No.
MDR-5 CAA BAAA 015A030 XXX XXX	-	1.5 - 5	1/2"	820	212850
MDR-5 CAA AAAA 015A030 XXX XXX	K *	1.5 - 5	1/2"	860	212867
MDR-5 COA BAAA 015A030 XXX XXX	-	1.5 - 5	1/2" + 1/4"	860	212874
MDR-5 COA AAAA 015A030 XXX XXX	K *	1.5 - 5	1/2" + 1/4"	900	212881
MDR-5 EAA BAAA 070A080 XXX XXX	-	2 - 8	1/2"	820	212898
MDR-5 EAA AAAA 070A080 XXX XXX	K *	2 - 8	1/2"	860	212904
MDR-5 EOA BAAA 070A080 XXX XXX	-	2 - 8	1/2" + 1/4"	860	212911
MDR-5 EOA AAAA 070A080 XXX XXX	K *	2 - 8	1/2" + 1/4"	900	212928
MDR-5 GAA BAAA 090A110 XXX XXX	-	2 - 11	1/2"	820	212935
MDR-5 GAA AAAA 090A110 XXX XXX	K *	2 - 11	1/2"	860	212942
MDR-5 GOA BAAA 090A110 XXX XXX	-	2 - 11	1/2" + 1/4"	860	212959
MDR-5 GOA AAAA 090A110 XXX XXX	K *	2 - 11	1/2" + 1/4"	900	212966
MDR-5 HAA BAAA 130A160 XXX XXX	-	2.5 - 16	1/2"	820	212973
MDR-5 HAA AAAA 130A160 XXX XXX	K *	2.5 - 16	1/2"	860	212980
MDR-5 HOA BAAA 130A160 XXX XXX	-	2.5 - 16	1/2" + 1/4"	860	212997
MDR-5 HOA AAAA 130A160 XXX XXX	K *	2.5 - 16	1/2" + 1/4"	900	213000

\* For these switches, a thermal, 3-pole overload relay has to be ordered separately, otherwise the ON/OFF switching mechanism will not function.

Unloader valves and cable glands for retrofit assembly to be ordered separately, see Accessories!

## TECHNICAL DATA

acc. to EN 60947

Rated insulation voltage U <sub>i</sub>	500 V
Motor switching capacity (AC 3) U <sub>e</sub> = 240 V (1~)	2.5 kW
Motor switching capacity (AC 3) U <sub>e</sub> = 230 V (3~)	4.0 kW
Motor switching capacity (AC 3) U <sub>e</sub> = 400 V (3~)	5.5 kW
Motor switching capacity (AC 3) U <sub>e</sub> = 500 V (3~)	4.0 kW
Electrical life (AC 3) Cycles	> 1 x 10 <sup>5</sup>
Mechanical life Cycles	> 1 x 10 <sup>5</sup>
Max. electrical cycles Cycles/h	120

Max. mechanical cycles Cycles/h	600
Rated operating current I <sub>e</sub>	25 A
Bursting strength P <sub>z</sub>	> 40 bar
Permissible medium temperature Air	-5...+ 80 °C
Permissible medium temperature Water	+ 80 °C
Protection acc. to EN 60529	IP 54
Conductor cross-section 1 ... flexible cable 1 x / 2 x	2.5 / 2.5 mm <sup>2</sup>
Conductor cross-section 1 ... rigid cable 1 x / 2 x	4 / 4 mm <sup>2</sup>

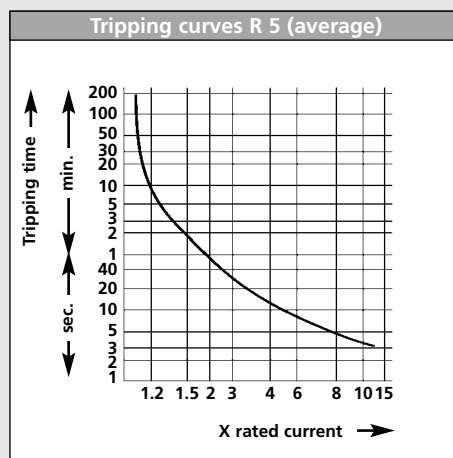
# Pressure switch MDR 5



## DIAPHRAGM MEDIA RESISTANCE

<b>resistance</b>
Air · Water Sodium chloride · Hydrogen
<b>limited resistance</b>
Fats Mineral oils
<b>non-resistance</b>
Acids · Lye solutions · Sulfar Fuels · Solvents

## TRIPPING CURVES



## ACCESSORIES

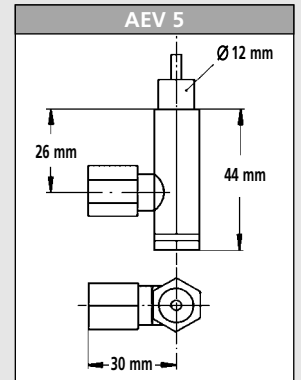
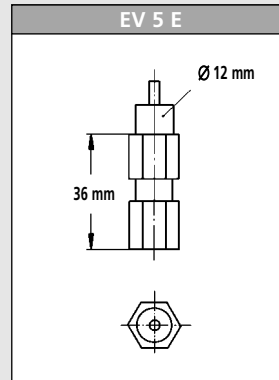
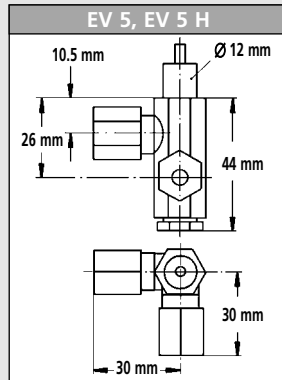


Order reference	Description	Weight (g)	Part No.
<b>Unloader valves</b>			
EV 5E	with screw fitting for 6 mm plastic or copper discharge line	100	201892
EV 5	with screw fitting for 6 mm plastic or copper discharge line	100	201878
EV 5i	with screw fitting for 1/4" plastic or copper discharge line	100	201885
<b>Unloader valves for difficult motor starting conditions</b>			
AEV 5	with screw fitting for 6 mm plastic or copper discharge line	100	201939
AEV 5 i	with screw fitting for 1/4" plastic or copper discharge line	100	201946
<b>Cable glands</b>			
WN-5	Screw plug PG 16	6	201953
PG 16 V-5	complete	12	201960
PG 16 Z-5	with strain relief	12	201977
PG 16 ZK-5	with strain relief and cable support	12	201984
PG 16/13.5 Z	reduced to PG 13.5 with strain relief	12	202004
PG 16/13.5 ZK	reduced to PG 13.5 with strain relief and cable support	12	202011
PG 16/11 V-5	reduced to PG 11	12	201991
MW5	Wall-mounting adapter	120	230045
<b>Cover</b>			
H5 (Cover MDR 5)	Cover without push-buttons	130	230052
H5-K (Cover MDR 5+K)	Cover with push-buttons	150	217527
<b>Thermal, 3-pole overload relay</b>			
R 5/1.5	0.86 - 1.50 A	150	202028
R 5/2.45	1.50 - 2.45 A	150	202035
R 5/4.2	2.40 - 4.20 A	150	202042
R 5/7.0	4.00 - 7.00 A	150	202059
R 5/10.3	6.10 - 10.3 A	150	202066
R 5/14.0	9.00 - 14.0 A	150	202073
R 5/18.0	11.0 - 18.0 A	150	202080
R 5/25.0	18.0 - 25.0 A	150	202097

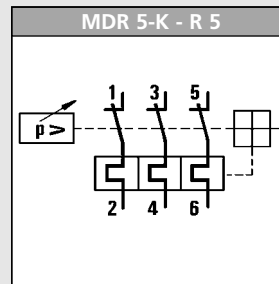
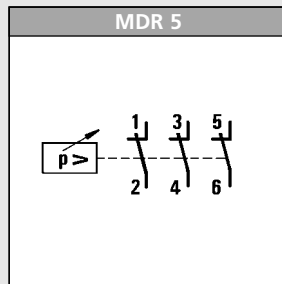
# Pressure switch MDR 5



## DIMENSIONS ACCESSORIES



## CIRCUIT DIAGRAMS



## PRESSURE DIAGRAMS

