



DATA SHEET

04/02/2013

Page 1 / 3

Receiver

From

Society
Reference
Address
Phone
Fax
E-mail

Item no. 102160092

Pump data :

Model :
JET 251 M
Pressure rating : 8 bar (800 kPa)
Min. fluid temperature : 0 °C
Max. fluid temperature : 35 °C
Max. Temperature operating : 40 °C

Priming capacity:

H	m	2	3	4	5	6	7	8
Q	m ³ /h	4.2	3.72	3.36	3	2.46	1.98	1.5

Requested data :

Flow 0.00 m³/h
Head 0.00 m
Fluid : Water, pure
Fluid Temperature : 20 °C
Density : 998.3 kg/m³
Kinematic viscosity 1.005 mm²/s
Vapor pressure : 100.00 kPa

Hydraulic data (duty point)

Flow
Head

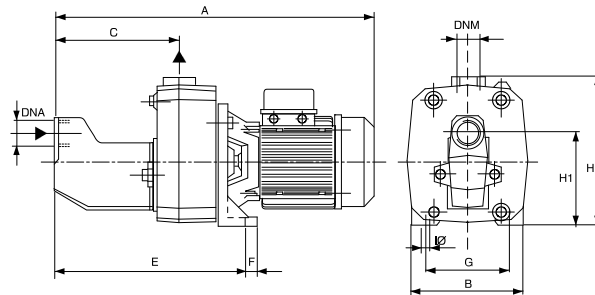
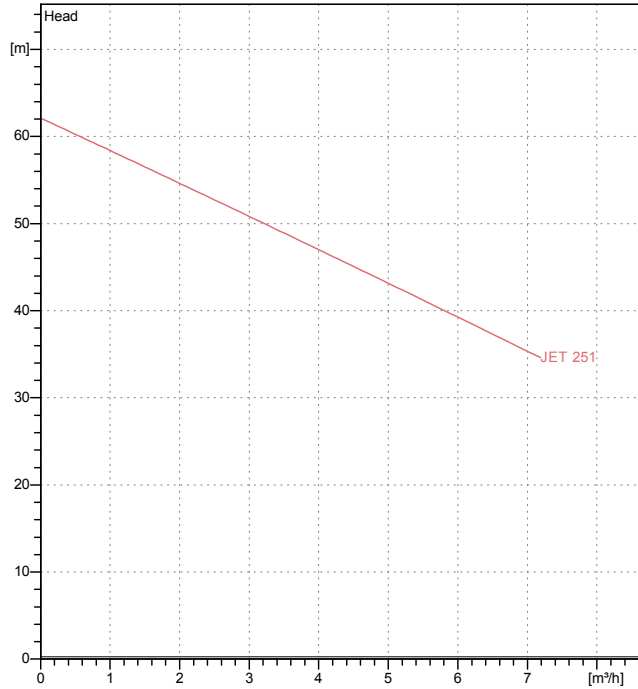
Materials :

Pump body Cast iron 200 UNI ISO 185
Support Cast iron 200 UNI ISO 185
Impeller Technopolymer A
Mechanical seal Carbon/Ceramic
OR ring Rubber NBR
Shaft with rotor AISI 416 X12 CrS 13 UNI 6900/71
Diffuser Technopolymer A

Motor data :

Brand : DAB
Nominal power P2: 1.85 kW
Rated speed: 2800 rpm
Rated voltage : 1~ 230 V 50 Hz
Nominal current : 10 A
Degree of protection : IP 44

Curve tolerance according to ISO 9906



Dimensions in

mm

A	632	DNM	1" G	H	255		
B	210	E	350	H1	158		
C	221	F	20	IO	11		
DNA	1"1/4 G	G	145				

Weight : 35 kg

Pump connection

Suction side 1 " 1/4 G / 8 bar (800 kPa)
Discharge side 1 " G / 8 bar (800 kPa)



PERFORMANCE CURVES

04/02/2013

Page 2 / 3

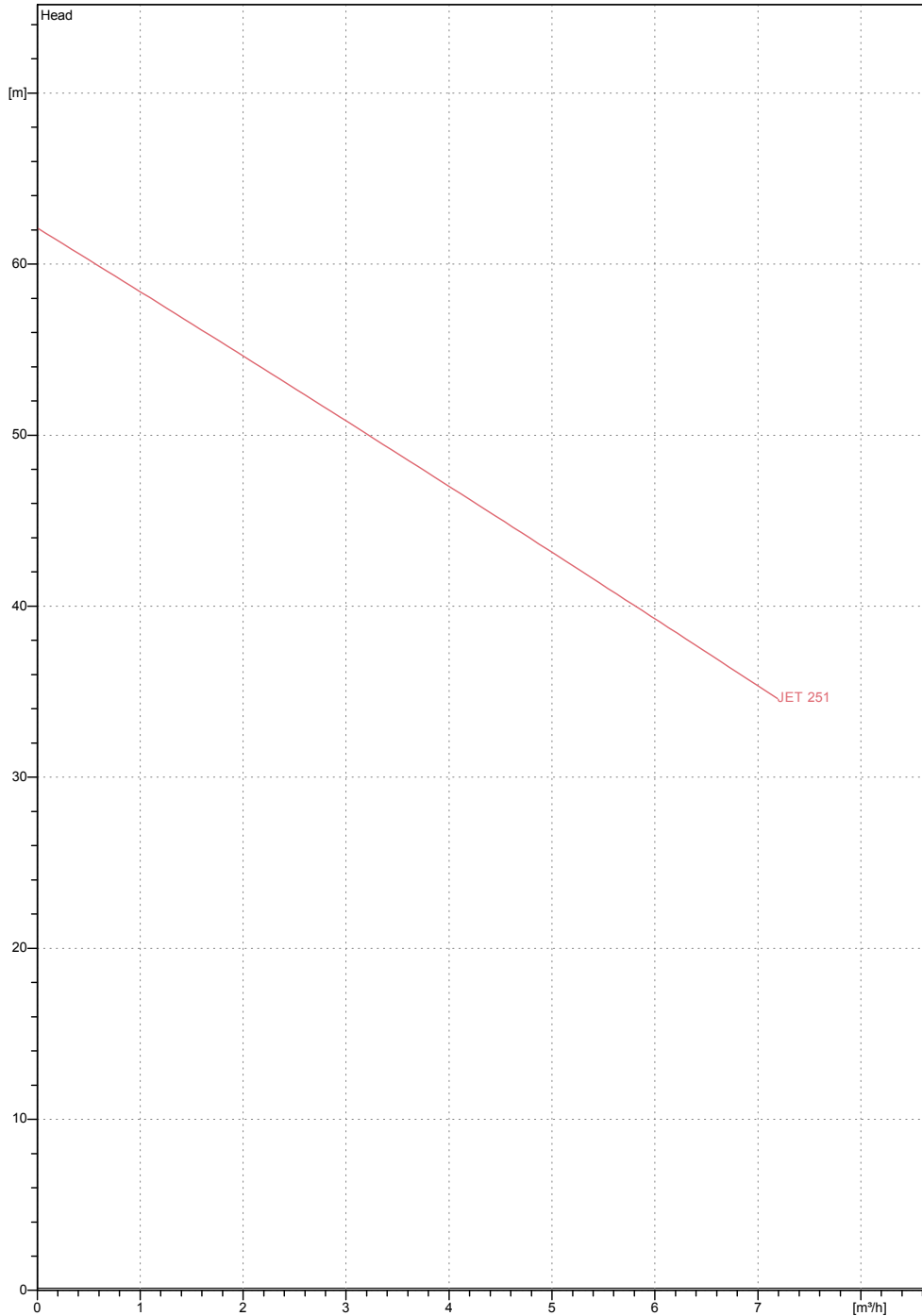
Receiver

From

Society
Reference
Address
Phone
Fax
E-mail

JET 251 M

Curve tolerance according to ISO 9906



Hydraulic data (duty point)

Suction side 1" 1/4 G 8 bar (800 kPa)	Discharge side 1" G 8 bar (800 kPa)	Flow 0 m³/h	Head 0 m	Speed 2800 rpm
Project	Project ID	Created by	Created on 04/02/2013	



DIMENSIONAL DRAWING

04/02/2013

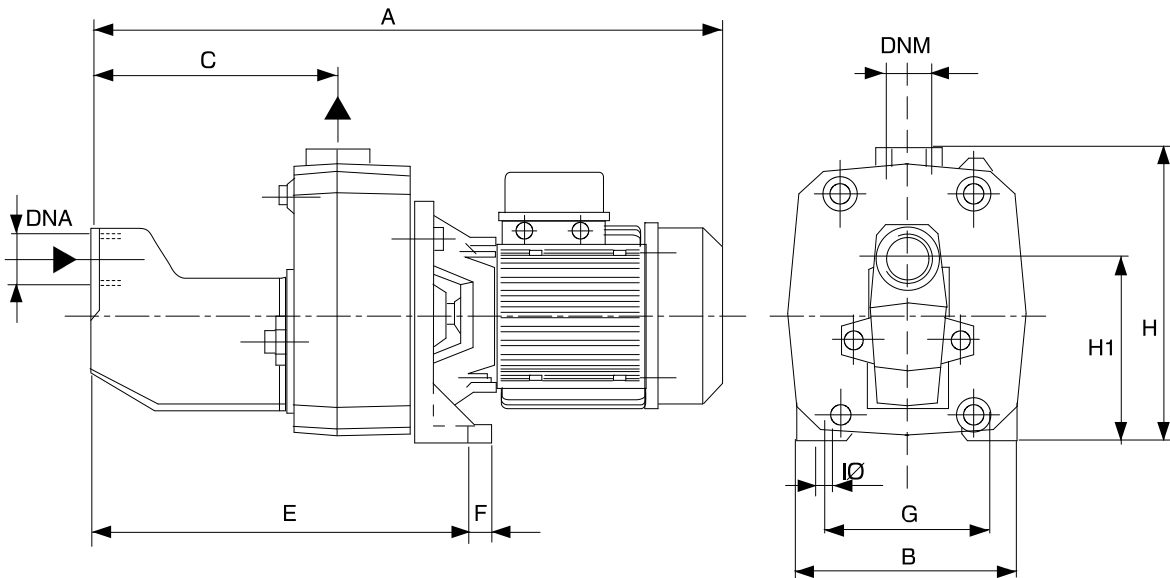
Page 3 / 3

Receiver

From

Society
Reference
Address
Telefono
Fax
E-mail

JET 251 M



Dimensions in mm										Pump connection
1	A	632	I O	11						Suction 1 " 1/4 G 8 bar (800 kPa) Discharge 1 " G 8 bar (800 kPa)
2	B	210								
3	C	221								
4	DNA	1"1/4 G								
5	DNM	1" G								
6	E	350								
7	F	20								
8	G	145								
9	H	255								
10	H1	158								
Project			Project ID			Created by			Created on 04/02/2013	